

CORNERPANEL



Enhances visual impact.

Easy handling and fast installation at job site

FM Approved FireSafe Technology

Less than half the weight of alternative systems

Suitable for horizontal or vertical application

Fastest way of turning corners
by Kingspan Izopoli



Corners won't slow
you down anymore

FIREsafeTM

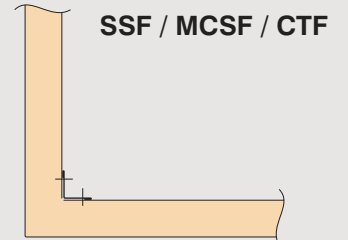
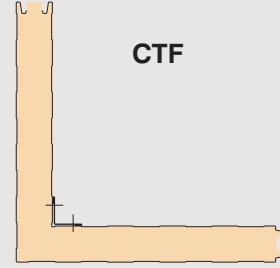
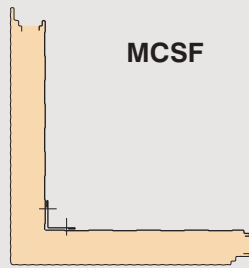
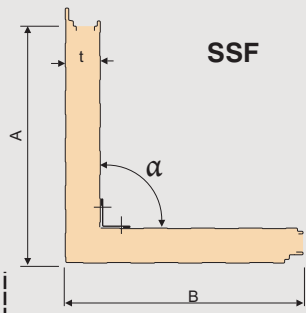
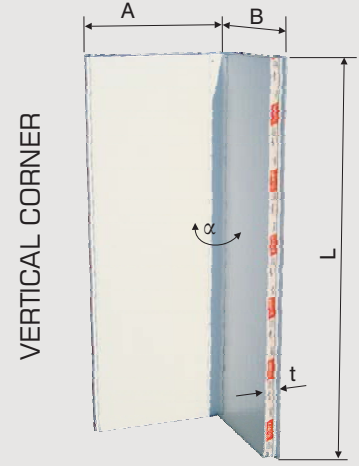
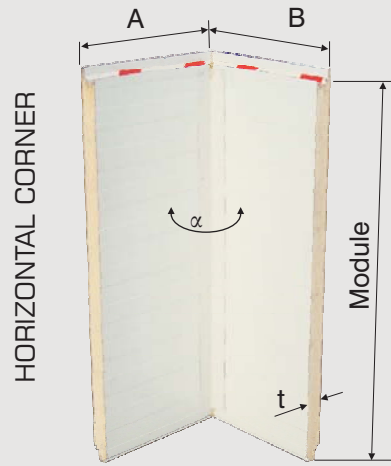



Kingspan[®]
I Z O P O L I[®]



FIREsafe™

Kingspan-Izopoli FireSafe system offers the best solution in ensuring fire safety.



VERTICAL CORNER

HORIZONTAL CORNER

Panel	t max	B min ⇒ A max		A min ⇒ B max		α	Module	L max
		B	A	A	B			
HORIZONTAL CTF	100	360	2.000	360	6.000	90-180	1100	-
HORIZONTAL SSF	100	250	1.500	250	4.500	90-180	1030	-
HORIZONTAL MCSF	100	250	1.500	250	4.500	90-180	1030	-
VERTICAL CTF	100	250	850	250	850	80-175	A+B	3500
VERTICAL SSF	100	250	780	250	780	80-175	A+B	3500
VERTICAL MCSF	100	250	780	250	780	80-175	A+B	3500

For vertical corner (A+B =MODULE) dimensions are in mm

İzopoli Yapı Elemanları
Taahhüt Sanayi ve Ticaret A.Ş.

Head Office
Çırağan Caddesi, No: 97,
34347 Ortaköy/İstanbul-Turkey
T +90 212 236 60 32 (pbx)
F +90 212 261 64 41

www.izopoli.com / info@izopoli.com

